

2

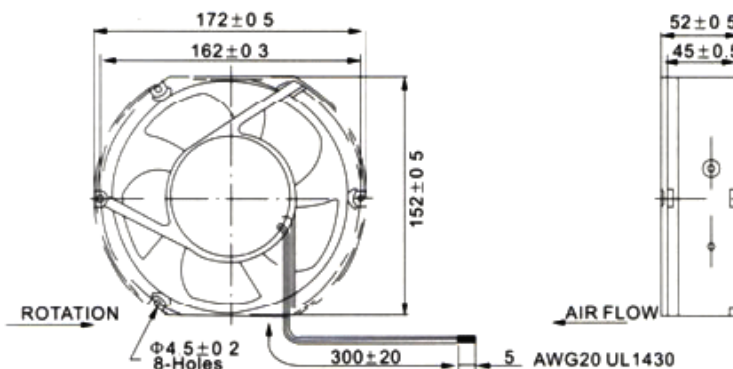


Axial AC Fan GA15052 Series

Technical Parameter

Model	Voltage (V)	Frequency (Hz)	Current (AMP)	Power (Watts)	Speed (RPM)	Air Flo (CFM)	Voltage (mmH2O)	Noise (dBA)	Weight (Gram)
GA15052MSL-1	115	50	0.33	25	2500	180/5.10	0.38	49.6	870
GA15052MSL-1	115	60	0.30	23	2700	195/5.52	0.52	53	870
GA15052MSL-2	230	50	0.18	25	2500	180/5.10	0.38	49.6	870
GA15052MSL-2	230	60	0.25	40	2800	201/5.7	0.54	55	870
GA15052MSL-3	380	50	0.14	30	2500	180/5.10	0.38	49.6	870

Outline Drawing



Axial AC Fan GA17251 Series

Technical Parameter

Model	Voltage (V)	Frequency (Hz)	Current (AMP)	Power (Watts)	Speed (RPM)	Air Flo (CFM)	Voltage (mmH2O)	Noise (dBA)	Weight (Gram)
GA17251MBL-1	115	50	0.33	25	2500	190/5.40	0.48	53.3	908
GA17251MBL-2	230	50	0.18	25	2500	190/5.40	0.48	53.3	908
GA17251MBL-2	230	60	0.22	35	2700	205/5.80	0.52	56.2	908
GA17251MBL-3	380	50	0.14	30	2500	190/5.40	0.48	53.3	908

Outline Drawing

