

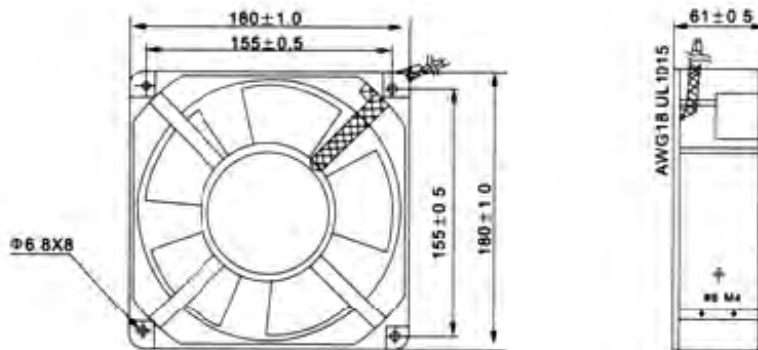


Axial AC Fan GA18060 Series

Technical Parameter

Model	Voltage (V)	Frequency (Hz)	Current (AMP)	Power (Watts)	Speed (RPM)	Air Flo (CFM)	Voltage (mmH2O)	Noise (dBA)	Weight (Gram)
GA18060MBL-1	115	50	0.60	50	2500	255/7.22	0.60	58	1600
GA18060MBSL-2	230	50	0.35	55	2500	255/7.22	0.60	58	1600
GA18060MBSL-3	380	50	0.25	60	2500	255/7.22	0.60	58	1600

Outline Drawing



Axial AC Fan GA20060 Series

Technical Parameter

Model	Voltage (V)	Frequency (Hz)	Current (AMP)	Power (Watts)	Speed (RPM)	Air Flo (CFM)	Voltage (mmH2O)	Noise (dBA)	Weight (Gram)
GA20060MBL-1	115	50	0.80	65	2300	254/7.19	0.58	56	1690
GA20060MBL-2	230	50	0.45	70	2500	285/8.07	0.65	60	1690
GA20060MBL-3	380	50	0.28	70	2500	285/8.07	0.65	60	1690

Outline Drawing

