



Muffin XP - MS24B3 - 032526 - No
(Family) (Model) (Part #) (In Stock)

Electrical Specifications

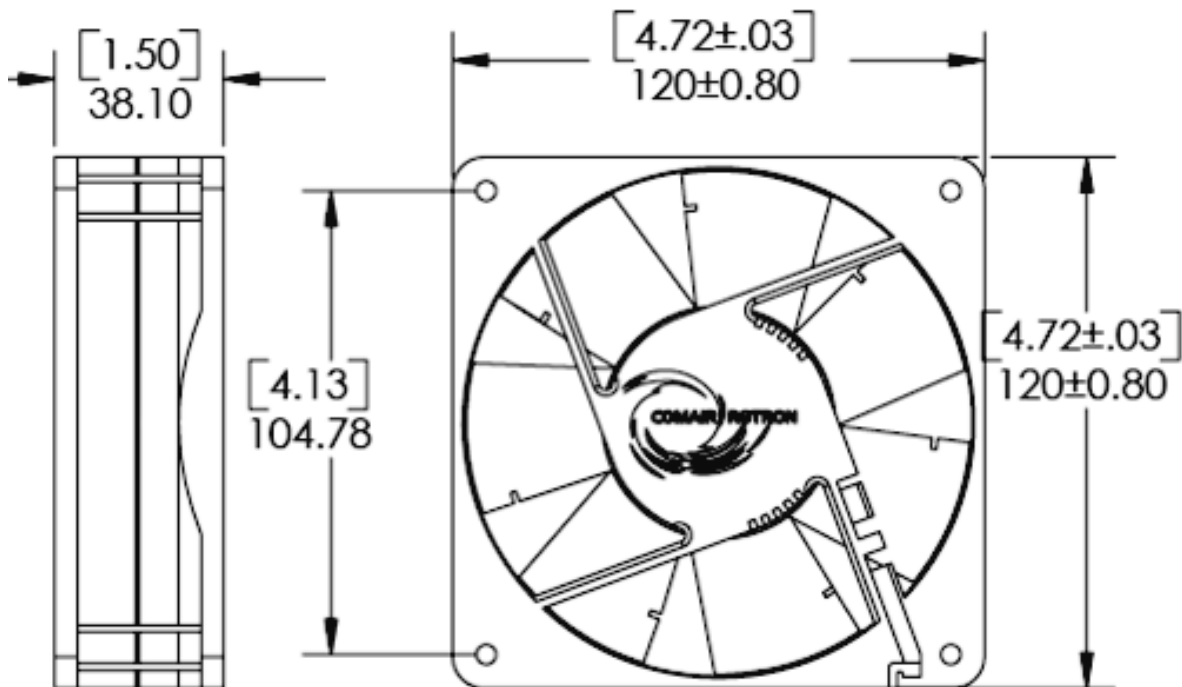
Operating Voltage:	24 Volts
Voltage Range:	12 - 28 Volts
Power Supply:	7.0 Watts
Line Current:	0.29 Amps
Locked Rotor Current	0.70 Amps
Nominal Speed:	2900 RPM

Mechanical Specifications

Dimensions:	4.7 x 4.7 x 1.5 in
Weight	8.82 oz
Max Airflow @ 0 in H ₂ O	110.0 CFM
Max Pressure @ 0 CFM	0.252 in H ₂ O
Noise	49.5 dBA



Mechanical Drawing





Fan Performance Curve

Fan Configuration Options

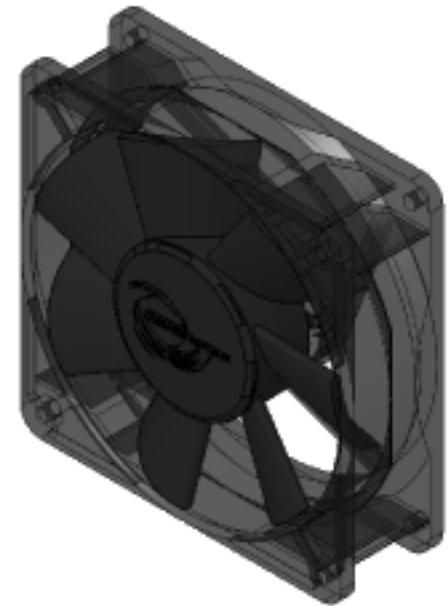
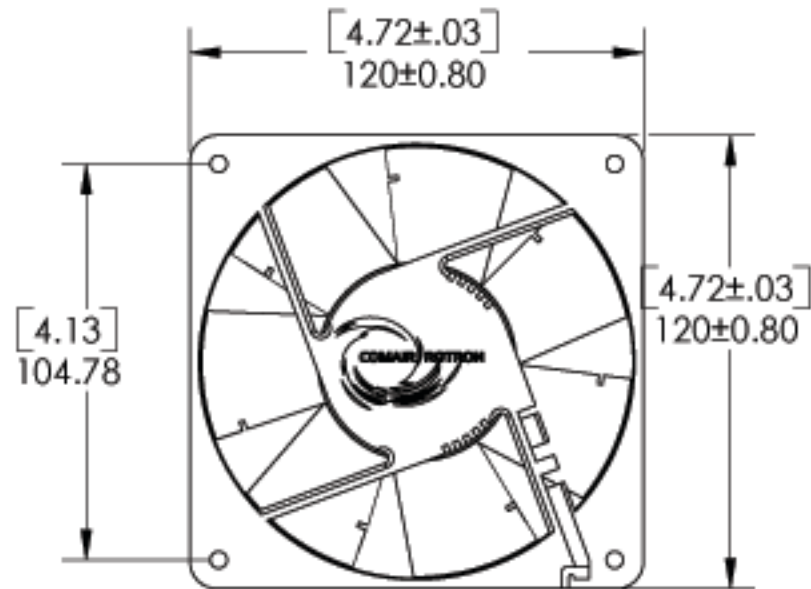
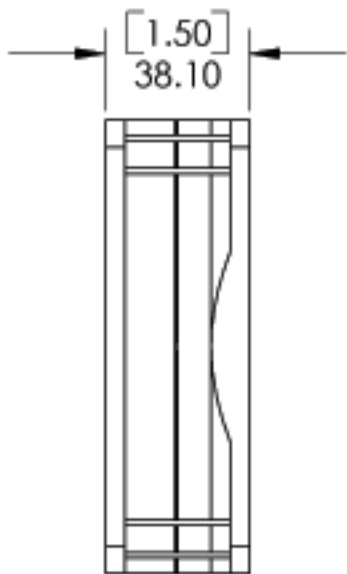
Muffin XP (Family)	MS24B3 / 032526 (Model)	No (In Stock)	305 mm [12 inch] Leads (Features)
------------------------------	--	-------------------------	---

Fan Speed:	2900 RPM	Fan Bearings:	Ball Bearings
Fan Airflow Direction:	Flow R (CCW Rotation)	Fan Termination:	Leads

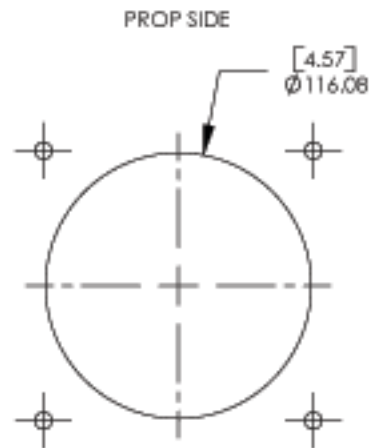
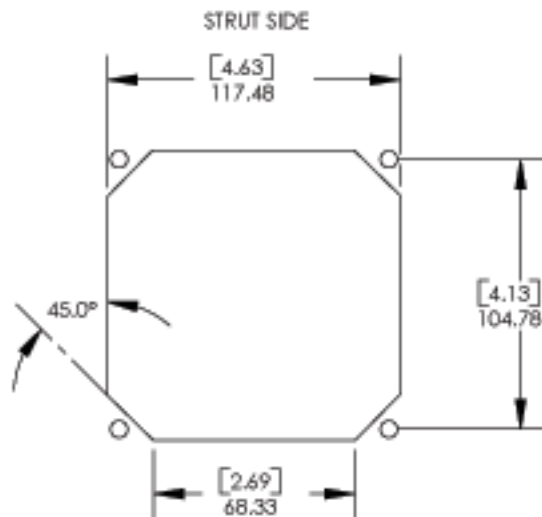
Fan Monitoring Options:	No Fan Monitoring Options Selected
--------------------------------	---

Fan Speed Control Option:	No ThermaPro-V Fan Speed Control Options Selected
----------------------------------	--

Environmental Protection Options:	No Enviroshield Options Selected
--	---



RECOMMENDED CUTOUT



CONTACT INFO: WWW.COMAIRROTRON.COM			
TOLERANCE UNLESS OTHERWISE SPECIFIED	AMERICAN PROJECTION	3D MODEL FOUND AT..	
2 PL. DEC. ±.0018	3 PL. DEC. ±.00128		
ANGULAR ±.5°			
MUFFIN XP DC			